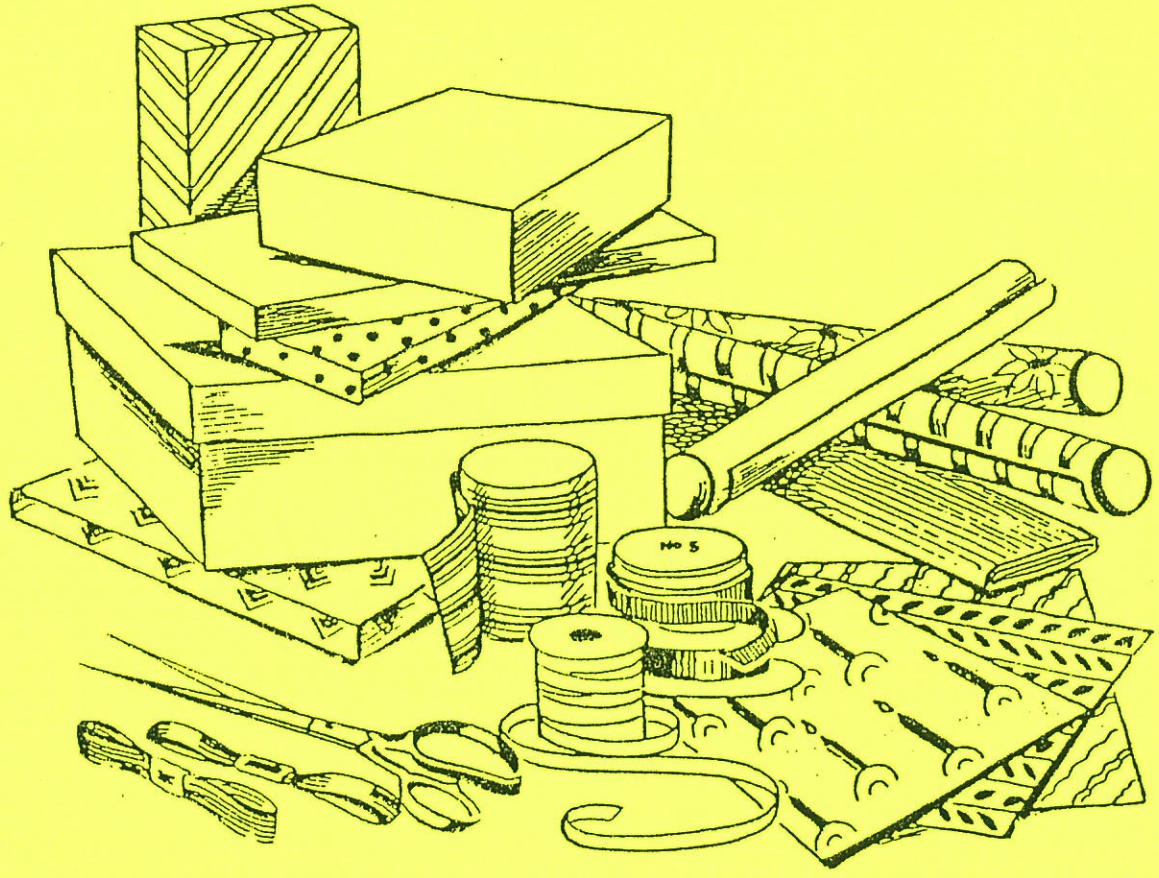
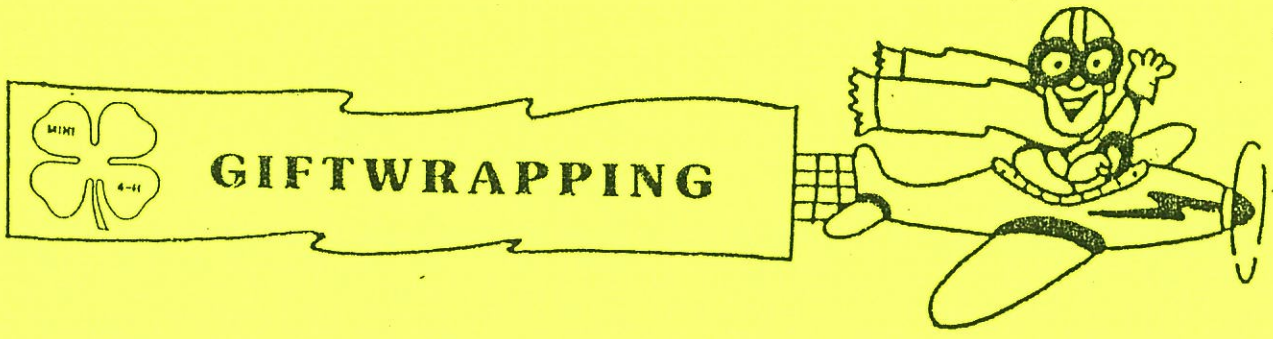


VERMILLION COUNTY

MINI 4-H



LEARNING TO WRAP GIFTS

When learning to wrap gifts you need to realize the first gift you wrap will not be perfect. For this reason you should practice wrapping with newspaper or something on this order.

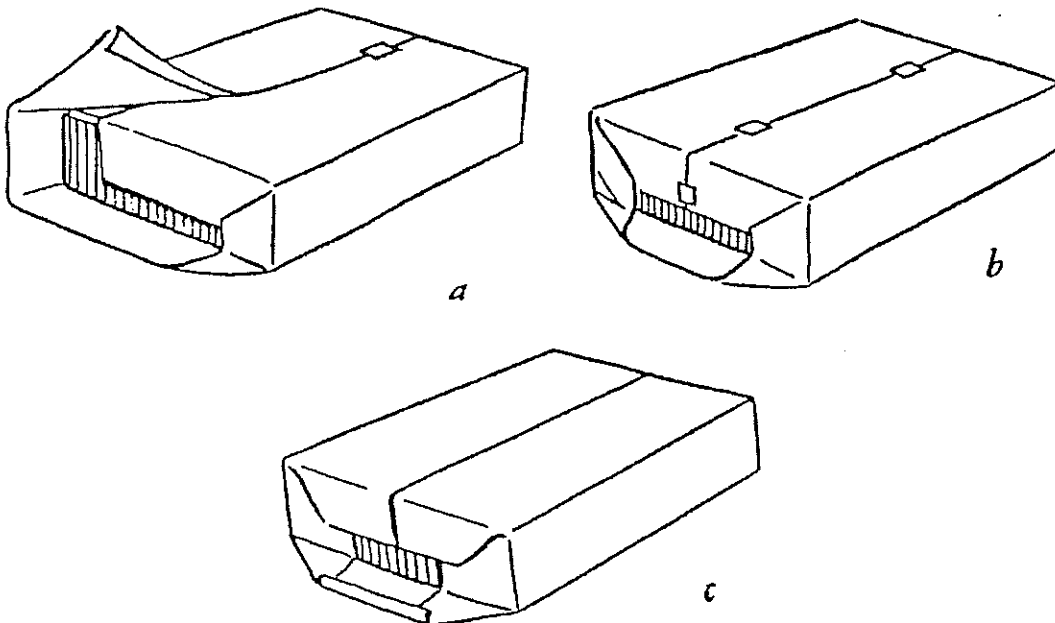
Starting with newspaper and finishing with the real wrapping paper will save you money. Wrapping paper is not cheap.

Once you have mastered wrapping the box with newspaper, take the newspaper off and use the paper you wish to wrap with when actually giving the gift away.

WRAPPING YOUR GIFT

RECTANGULAR AND SQUARE

1. Estimate the amount of paper required to go completely around the box. Allow an overlap so that the paper can reach a little over half the width of the open ends.
2. Place the gift upside down on the open sheet of gift wrap.
3. Tape the paper in place on top (will be bottom of gift when finished).
4. Beginning on one end, (a) the top flap is folded down toward the center; (b) both side flaps are then folded toward the center (c) the bottom flap is brought up and taped in place.
5. The procedure is repeated on the other side. Always be sure that the paper is kept tight.
6. Turn the package over so that the smooth side is on top.



CURLY RIBBON FOR BOWS

Tinsel, paper-type ribbon, or any type of store brand curling ribbon may be used to make your curly bow.

To make a curly bow, you may use the scissors you used to cut the wrapping paper to fit the box with. The ribbon can be curled by pulling it over one side of the scissor blade. Depending on the amount of pressure on the ribbon will determine how tight the curl will turn out. The tighter the pressure, the tighter the curl. To make the curl looser, do not pull down on the ribbon as hard.

Now lets try it and see how you do.

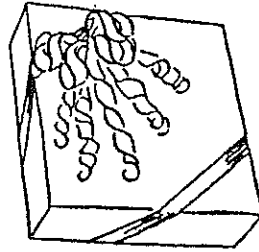


EXHIBIT: One wrapped empty box with a curly ribbon bow.