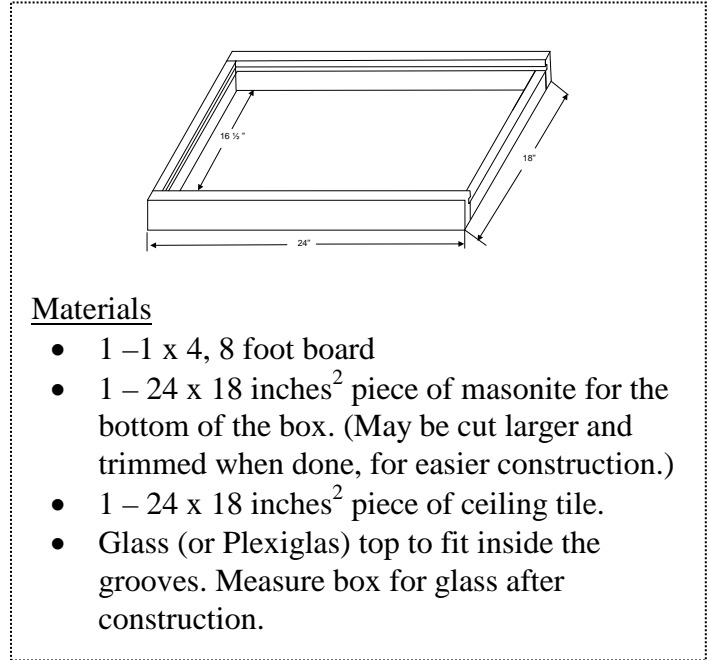


INSECT DISPLAY BOX

A standard display box is 18 x 24 inches (outside measurements) and 2 ½ to 3 ½ inches deep to allow insect pins to stand upright. It is protected on top with a glass or Plexiglas top. Standard display boxes are available from entomological supply houses such as BioQuip (<http://www.bioquip.com/>).

Construction

1. Cut a 1 to 4 inch board into two 24-inch pieces and two 16 ½ inch pieces.
2. Cut a groove for the glass on all pieces (about ⅛-inch width and ¼-inch deep), about ½ inch below the top edge.
3. Cut one 16 ½-inch boards all the way through at the groove so the glass can slide in. Save the cut off piece of wood to secure the glass later.
4. Screw all the pieces together to form the box sides.
5. Attach masonite (or similar thin board) to the bottom of your box and trim if necessary. (Use nails, tacks, or screws dependent on materials chosen.)
6. Place ceiling tile or Styrofoam in the bottom of the box. Other materials will also work if they allow pins to be pushed easily in and they hold the pins in an upright position. Note that mothballs may melt Styrofoam if contacted directly.
7. Slide the glass or Plexiglas top in the grooved edge and reattach the piece you cut off (#3) to hold it in place.



Materials

- 1 – 1 x 4, 8 foot board
- 1 – 24 x 18 inches² piece of masonite for the bottom of the box. (May be cut larger and trimmed when done, for easier construction.)
- 1 – 24 x 18 inches² piece of ceiling tile.
- Glass (or Plexiglas) top to fit inside the grooves. Measure box for glass after construction.

Notes

- Always keep the lid tightly closed to exclude other pests, as well as to increase the longevity and effectiveness of the pest-protective materials.
- Store boxes in cool dry areas to prevent mold and mildew growth.
- Several types of small dermestid beetles, as well as other incidental pests such as rodents, readily feed upon and damage dry insect specimens. Naphthalene flakes, crystals, or mothballs (available as insect repellents in many retail stores), can protect against insect pests inside the box. Pesticides must be carefully secured in the box or they may shift and possibly damage specimens when the box is moved. Alternatively, you may securely attach small strips or squares cut from dichlorvos-impregnated resin strips (No-pest strips, Vaponite, Vapona strips, etc.) to the inside corners of boxes to kill any insect pests. Insecticides must be handled very carefully and only used in accordance with label directions. The Environmental Protection Agency (EPA) regulates mothball use, because some ingredients in mothballs may be carcinogenic. The active ingredients are very volatile and evaporate in a short time when exposed to air. Do not dispose of any surplus where there is any chance of these materials entering surface or groundwater supplies.

See *How to Make an Awesome Insect Collection* ([ID-401](#)), for information on placing insects in boxes, labeling specimens, precautions, and other tips.

INSECT DISPLAY BOX

